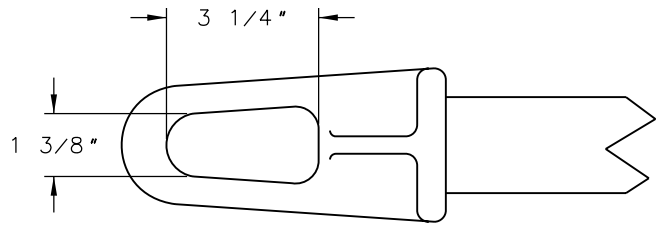
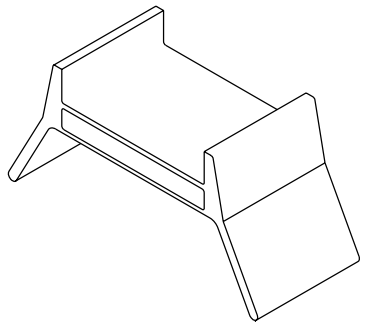
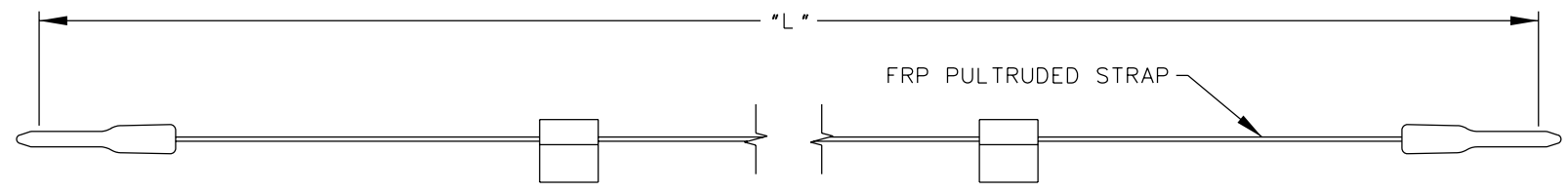
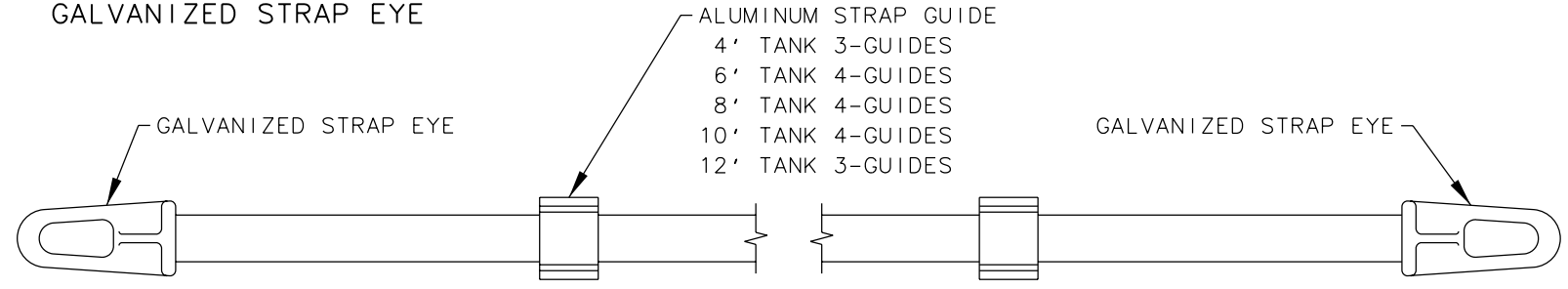


NOTE: STRAPS ARE RATED AT MINIMUM
25,000 LBS.

HOLD-DOWN STRAPS	
TANK SIZE	STRAP LENGTH "L"
4' DIA.	8'-4 1/4"
6' DIA.	12'-1"
8' DIA.	15'-1"
10' DIA.	18'-8 3/4"
12' DIA.	22'-6 3/4"



GALVANIZED STRAP EYE



ALUMINUM STRAP GUIDE

XERXES[®]
CORPORATION

TITLE: STANDARD
HOLD-DOWN STRAPS

DATE 11-99 DR. NO. S10-798.01