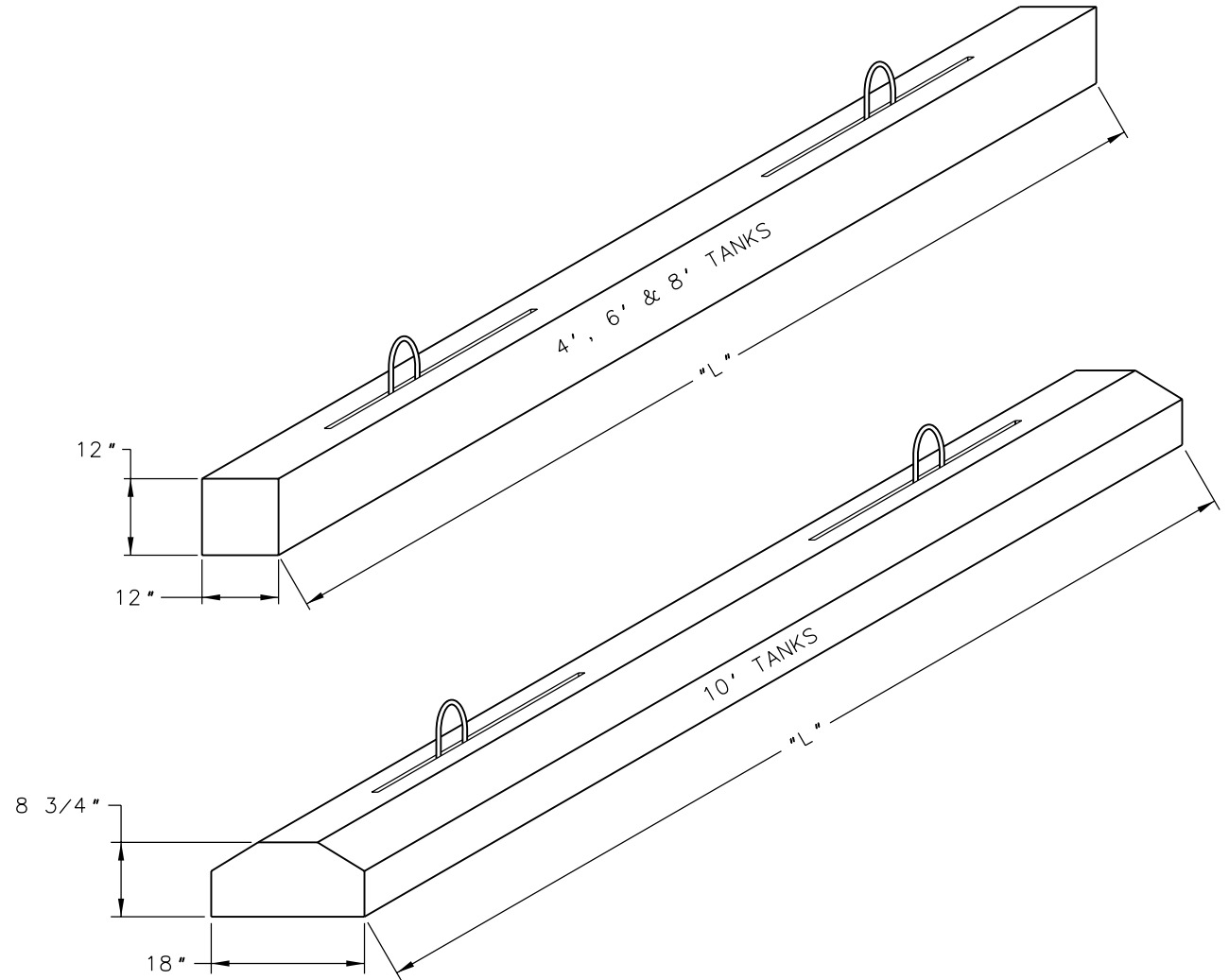


XERXES DEADMAN

| TANK SIZE | QTY | "L" | APPROX. WEIGHT EACH |
|------------|-----|-----|---------------------|
| 4'-600 | 2 | 12' | 1,800 LBS |
| 4'-1,000 | 2 | 12' | 1,800 LBS |
| 6'-2,000 | 2 | 12' | 1,800 LBS |
| 6'-3,000 | 2 | 16' | 2,400 LBS |
| 6'-4,000 | 2 | 18' | 2,700 LBS |
| 6'-5,000 | 4 | 12' | 1,800 LBS |
| 6'-6,000 | 4 | 16' | 2,400 LBS |
| 8'-3,000 | 2 | 12' | 1,800 LBS |
| 8'-4,000 | 2 | 12' | 1,800 LBS |
| 8'-5,000 | 2 | 16' | 2,400 LBS |
| 8'-6,000 | 2 | 18' | 2,700 LBS |
| 8'-8,000 | 4 | 12' | 1,800 LBS |
| 8'-10,000 | 4 | 16' | 2,400 LBS |
| 8'-12,000 | 4 | 18' | 2,700 LBS |
| 8'-15,000 | 6 | 16' | 2,400 LBS |
| 10'-10,000 | 2 | 22' | 3,000 LBS |
| 10'-12,000 | 2 | 22' | 3,000 LBS |
| 10'-15,000 | 4 | 14' | 1,900 LBS |
| 10'-20,000 | 4 | 18' | 2,400 LBS |
| 10'-25,000 | 4 | 14' | 1,900 LBS |
| 10'-30,000 | 2 | 18' | 2,400 LBS |
| 10'-30,000 | 6 | 18' | 2,400 LBS |
| 10'-35,000 | 2 | 18' | 2,400 LBS |
| 10'-35,000 | 4 | 22' | 3,000 LBS |
| 10'-40,000 | 8 | 18' | 2,400 LBS |



XERXES PRECAST DEADMEN

- XERXES DEADMEN ARE ENGINEERED AND DESIGNED TO BE USED WITH XERXES TANKS.
- IN MULTIPLE TANK INSTALLATIONS, EACH TANK REQUIRES ITS OWN SET OF DEADMEN.
- FOR CAST IN PLACE OR DEADMAN CONSTRUCTED OFF SITE, REFER TO XERXES INSTALLATION MANUAL AND OPERATING GUIDELINES FOR PROPER SIZING AND ANCHOR POINT SPECIFICATIONS.

XERXES[®]
CORPORATION

TITLE

DEADMEN

DATE 3-05

DR. NO. S11-376.00