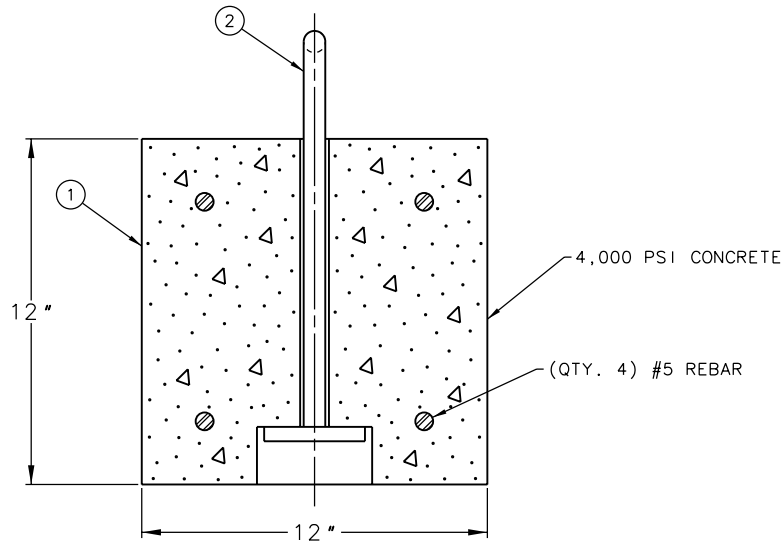
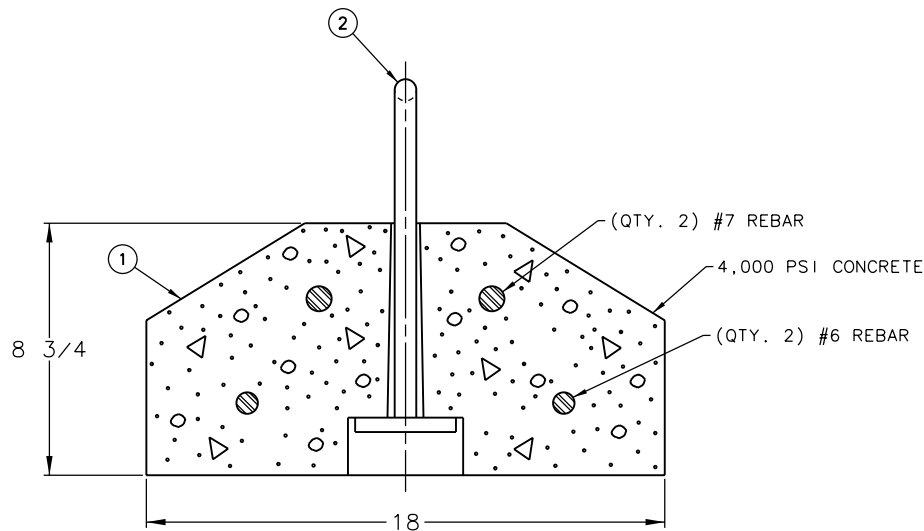


ITEM	QTY	QTY	UNIT	DESCRIPTION
1	2	2	EA	DEADMAN, 12"x12"x12'
2	4	4	EA	GALVANIZED ANCHOR POINT
	600	1,000		4' TANKS



ITEM	QTY	QTY	QTY	QTY	QTY	QTY	UNIT	DESCRIPTION
1	2	2			4		EA	DEADMAN, 12"x12"x12'
1			2			4	EA	DEADMAN, 12"x12"x16'
1				2			EA	DEADMAN, 12"x12"x18'
2	4	4	4	4	8	8	EA	GALVANIZED ANCHOR POINT
	2,000	2,500	3,000	4,000	5,000	6,000		6' TANKS

ITEM	QTY	QTY	QTY	QTY	QTY	QTY	QTY	QTY	UNIT	DESCRIPTION
1	2	2			4				EA	DEADMAN, 12"x12"x12'
1			2			4		6	EA	DEADMAN, 12"x12"x16'
1				2			4		EA	DEADMAN, 12"x12"x18'
2	4	4	4	4	8	8	8	12	EA	GALVANIZED ANCHOR POINT
	3,000	4,000	5,000	6,000	8,000	10,000	12,000	15,000		8' TANKS



ITEM	QTY	QTY	QTY	QTY	QTY	QTY	QTY	QTY	UNIT	DESCRIPTION
1			4		4				EA	DEADMAN, 8 3/4"x18"x14'
1				4	2	6	2	8	EA	DEADMAN, 8 3/4"x18"x18'
1	2	2					4		EA	DEADMAN, 8 3/4"x18"x22'
2	8	8	8	12	16	20	24	28	EA	GALVANIZED ANCHOR POINT
	10,000	12,000	15,000	20,000	25,000	30,000	35,000	40,000		10' TANKS

XERXES[®]
CORPORATION

TITLE
DEADMAN ANCHOR POINT
ASSEMBLY

DATE 3-05 DR. NO. S11-377.00