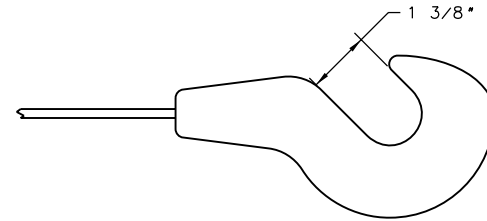


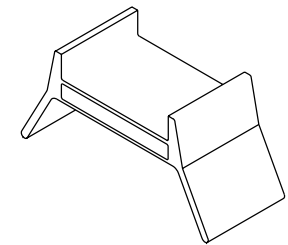
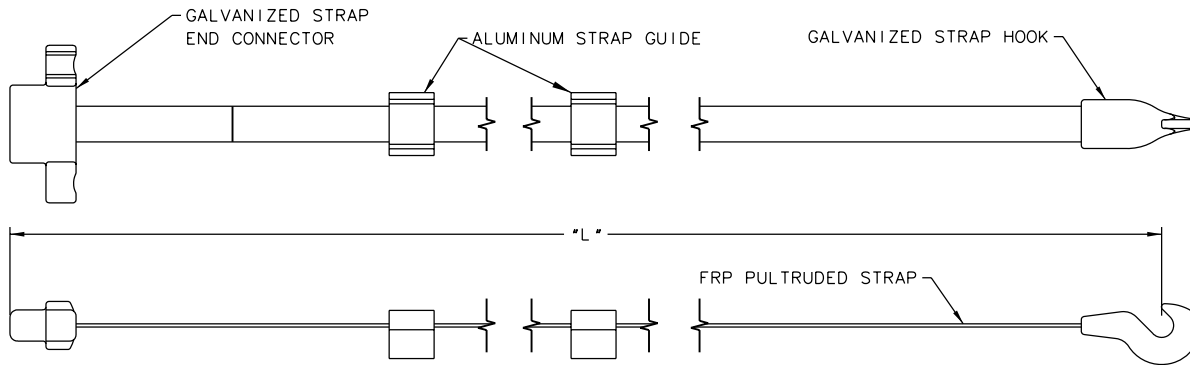
GALVANIZED STRAP END CONNECTOR

MAN-OUT-OF-HOLE STRAPS	
TANK SIZE	STRAP LENGTH "L"
6' DIA.	7'-6"
8' DIA.	9'-4"
10' DIA.	12'-0"

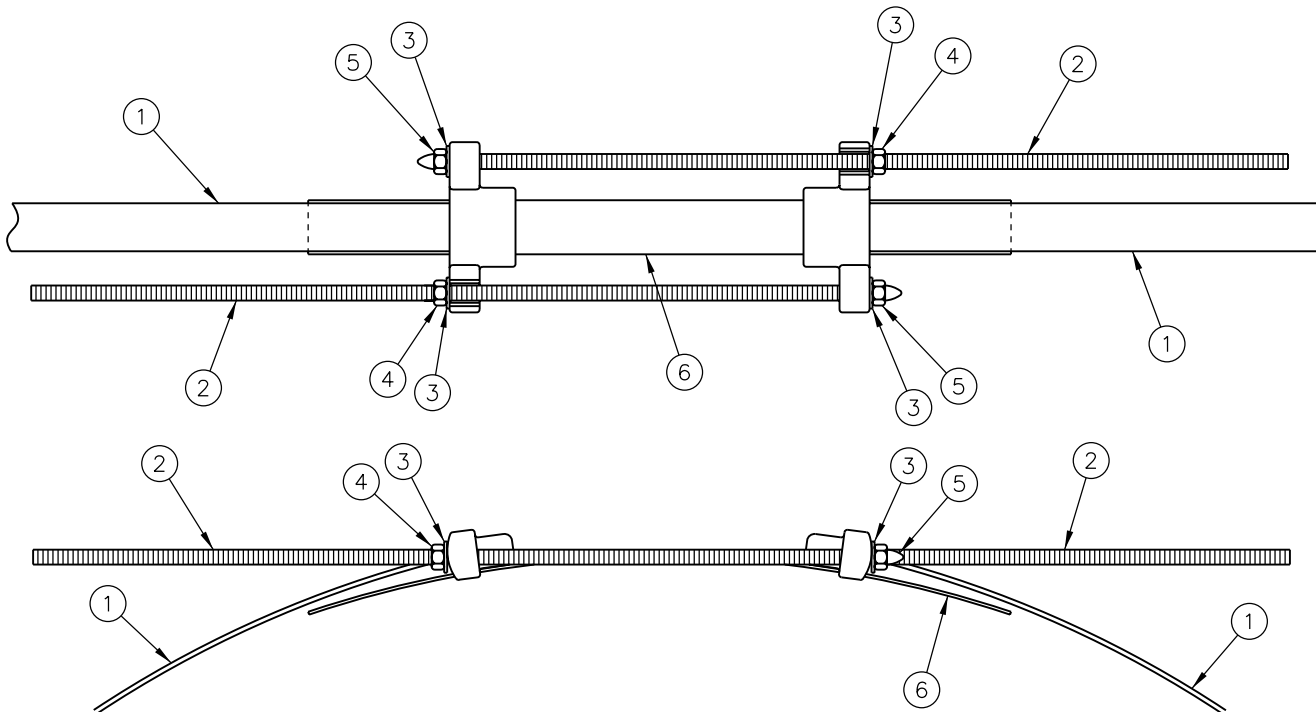
NOTE: STRAPS ARE RATED FOR 25,000 LBS.



GALVANIZED STRAP HOOK



ALUMINUM STRAP GUIDE



LOAD BINDER ASSEMBLY PARTS LIST		
ITEM	QTY	DESCRIPTION
1	2	MAN-OUT-OF-HOLE STRAP
2	2	5/8" DIA. THREADED ROD, ZINC COATED
3	4	5/8" WASHER, ZINC COATED
4	2	5/8" HEX NUT, ZINC COATED
5	2	5/8" BLIND NUT, LOW CROWN, ZINC COATED
6	1	WEAR PLATE, ZINC COATED

XERXES[®]
CORPORATION

TITLE: MOH STRAPS
LOAD BINDER ASSEMBLY
PARTS LIST

DATE: 1-09 DR. NO. S11-374.01