

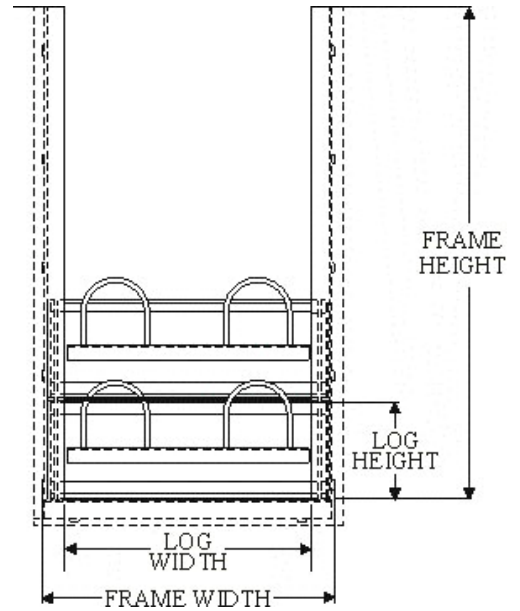
**A** PROJECT : \_\_\_\_\_  
ITEM #: \_\_\_\_\_

QTY OF **FRAMES** REQ'D  → W  X H

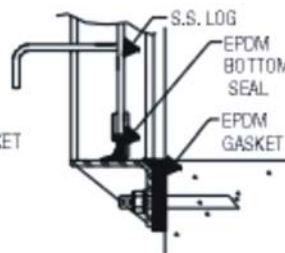
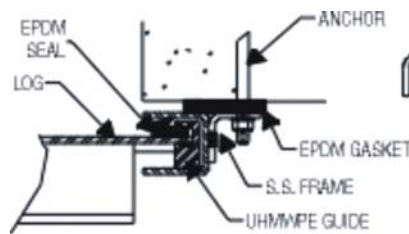
MATERIAL :  304 L SS  
 316 L SS  
 ALUMINUM  
 OTHER: \_\_\_\_\_

QTY OF **LOGS** REQ'D  → W  X H

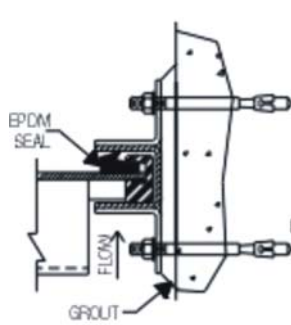
MATERIAL :  304 L SS  
 316 L SS  
 ALUMINUM  
 OTHER: \_\_\_\_\_



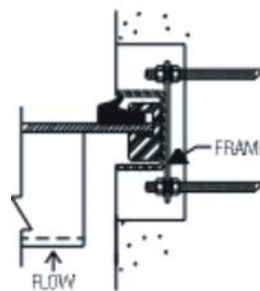
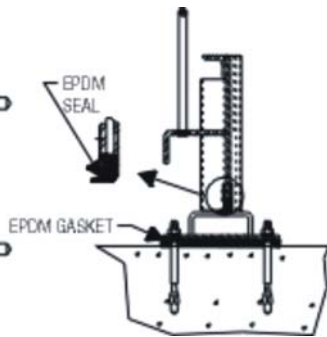
**B MOUNTINGS**



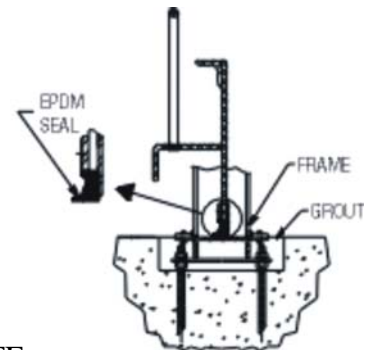
CW



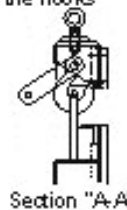
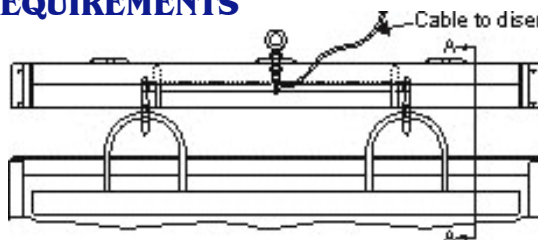
EC



FE



**C HOIST REQUIREMENTS**



LIFTING DEVICE REQUIRED

**D REMARKS**