

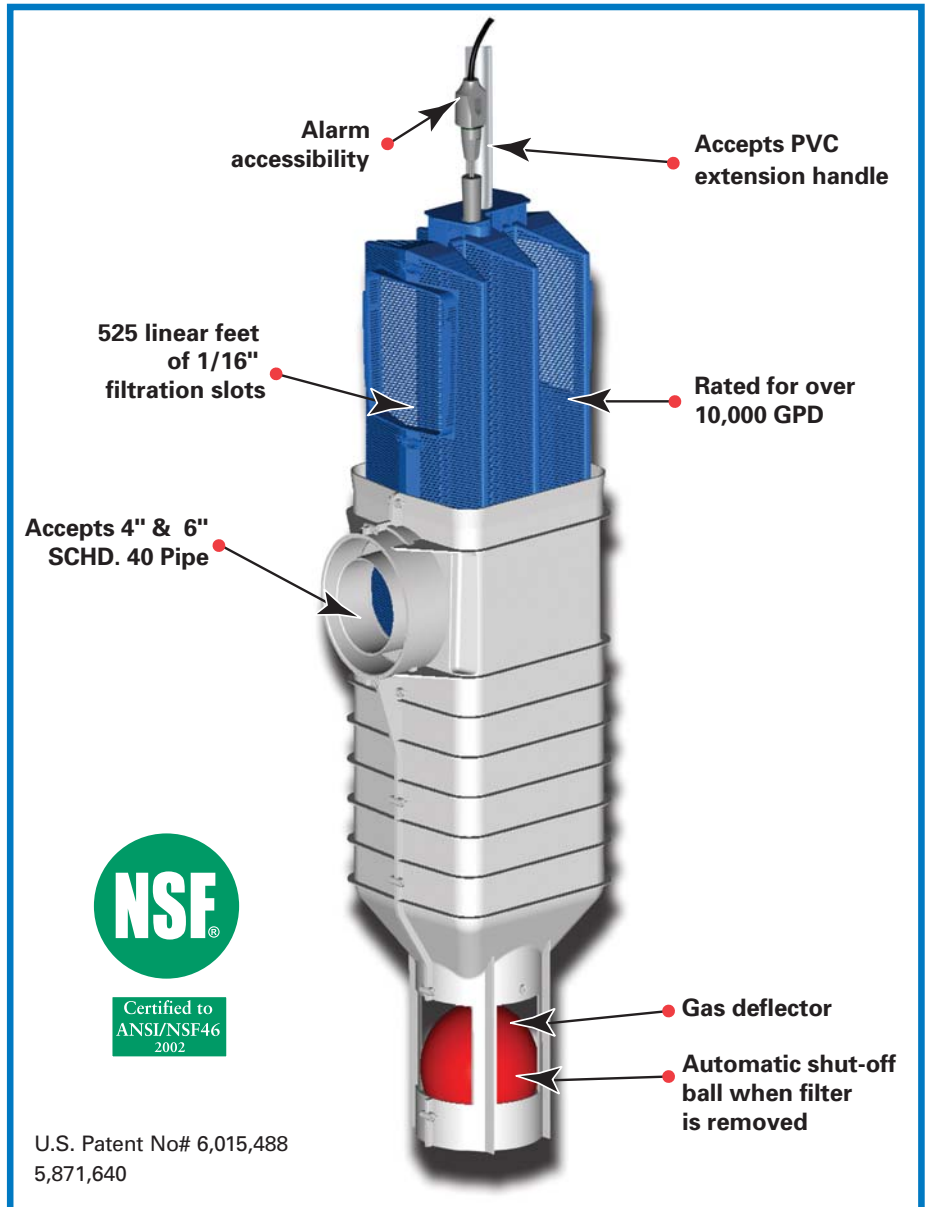
**PL-525 EFFLUENT FILTER (COMMERCIAL)**

Polylok, Inc is pleased to add its new commercial filter to its existing line of quality effluent filters. The PL-525 is rated for over 10,000 GPD (gallons per day) making it one of the largest commercial filters in its class. It has 525 linear feet of 1/16" filtration slots. Like the Polylok PL-122, the new Polylok PL-525 has an automatic shut off ball installed with every filter. When the filter is removed for cleaning, the ball will float up and temporarily shut off the system so the effluent won't leave the tank. **No other filter on the market can make that claim!**

**PL-525 Maintenance:**

The PL-525 Effluent Filter should operate efficiently for several years under normal conditions before requiring cleaning. It is recommended that the filter be cleaned every time the tank is pumped or at least every three years. If the installed filter contains an optional alarm, the owner will be notified by an alarm when the filter needs servicing. Servicing should be done by a certified septic tank pumper or installer.

1. Locate the outlet of the septic tank.
2. Remove tank cover and pump tank if necessary.
3. Do not use plumbing when filter is removed.
4. Pull PL-525 out of the housing.
5. Hose off filter over the septic tank. Make sure all solids fall back into septic tank.
6. Insert the filter cartridge back into the housing making sure the filter is properly aligned and completely inserted.
7. Replace septic tank cover.



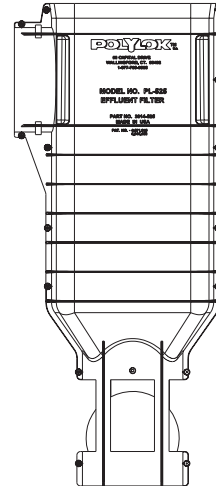
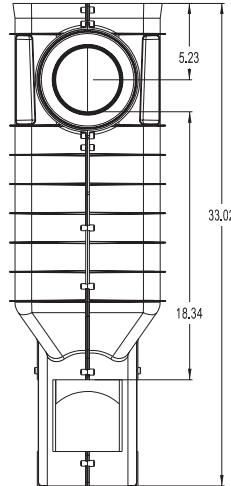
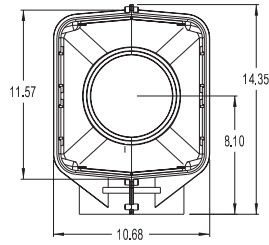
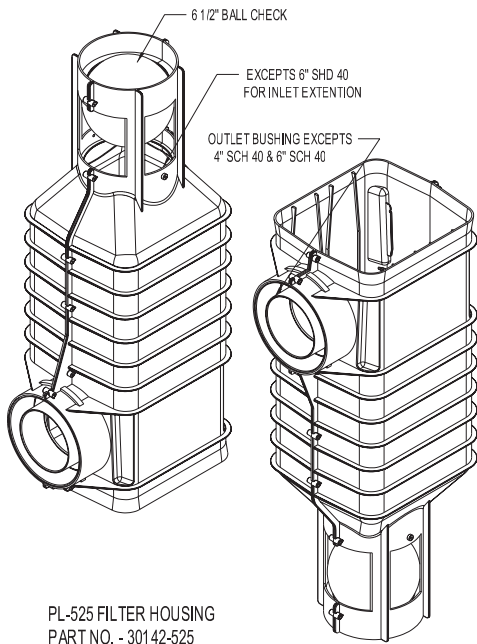
**PL-525 Installation:**

Ideal for residential and commercial waste flows up to 10,000 Gallons Per Day (GPD).

1. Locate the outlet of the septic tank.
2. Remove the tank cover and pump tank if necessary.
3. Glue the filter housing to the 4" or 6" outlet pipe. If the filter is not centered under the access opening use a Polylok Extend & Lok or piece of pipe to center filter.
4. Insert the PL-525 filter into its housing.
5. Replace the septic tank cover.

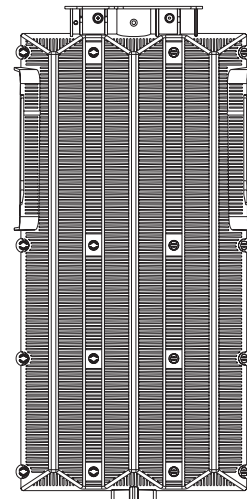
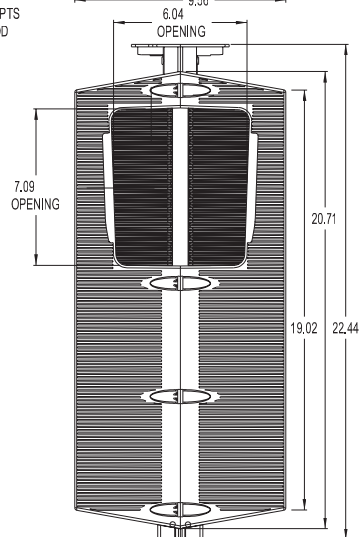
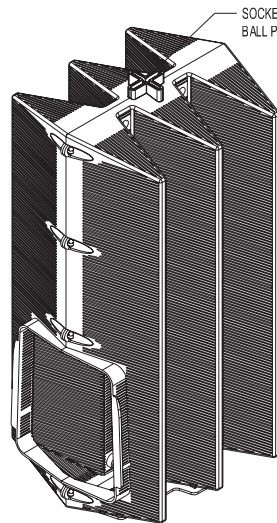
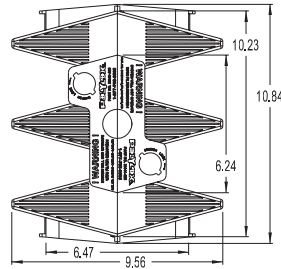
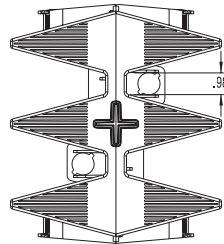
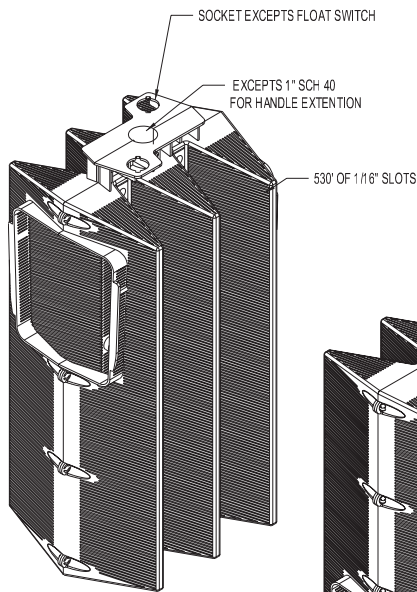
# Technical Specifications

## PL-525 EFFLUENT FILTER (COMMERCIAL)



PL-525 FILTER HOUSING  
PART NO. - 30142-525

MATERIAL:  
HOUSING - POLYPROPYLENE  
OUTLET BUSHING - PVC  
6.5 BALL - HDPE



POLYLOK PL-525 FILTER CARTRIDGE  
PART NO. - 30141-525  
MATERIAL - POLYPROPYLENE