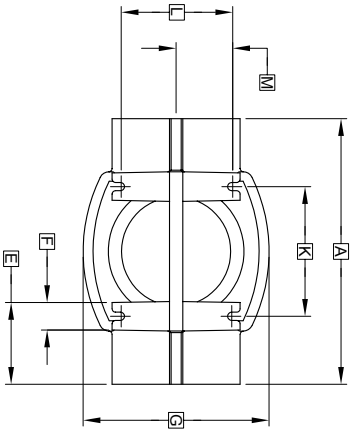
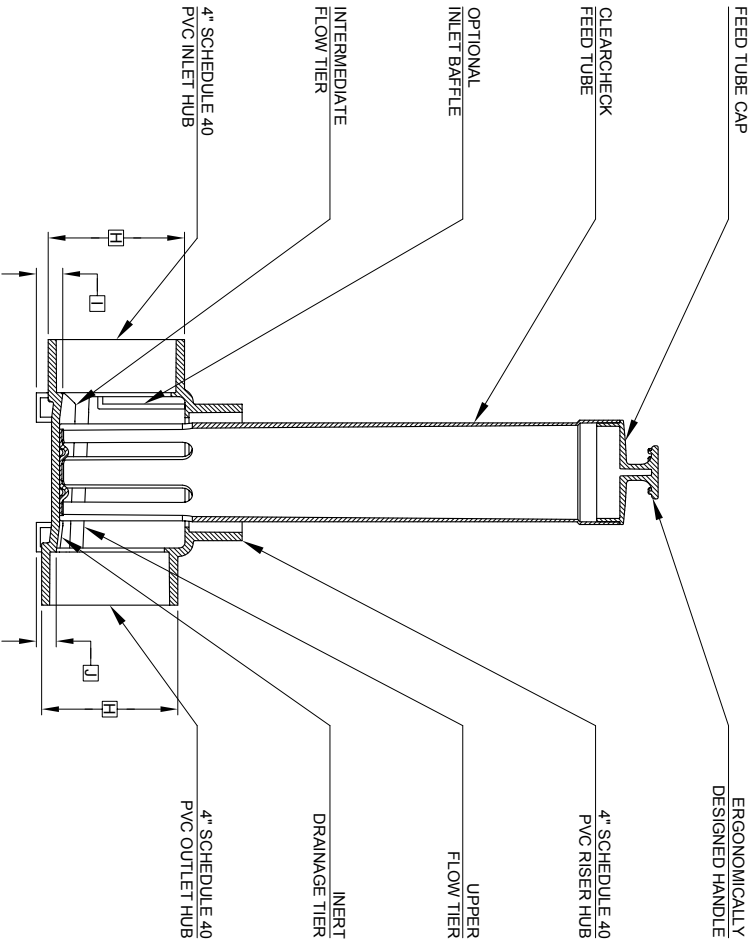


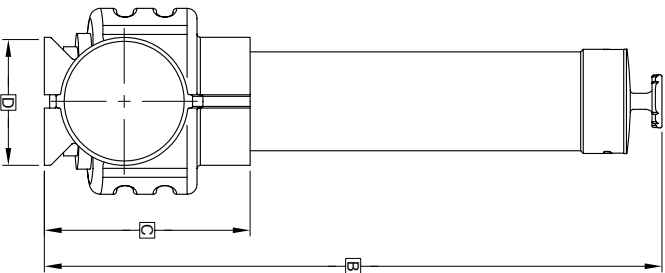
TOP VIEW



BOTTOM VIEW



SECTION A-A



INLET END VIEW

GENERAL NOTES:

- ① FALL THROUGH TABLET FEEDER FROM INLET INVERT TO OUTLET INVERT IS ONE QUARTER INCH.
- ② FINISHED GRADE MUST BE MAINTAINED AT LEAST SIX INCHES BELOW TOP OF LID.
- ③ INLET, OUTLET AND RISER HUBS ACCEPT STANDARD 4" SCHEDULE 40 PVC PIPES AND FITTINGS.
- ④ WHERE TABLET FEEDER IS INSTALLED WITHOUT MOUNTING BRACKETS, INSTALL ON FOUR INCH SAND OR FINE GRAVEL LEVELING PAD.

PROJECT ENGINEERS' APPROVAL:
 I (WE) HEREBY CERTIFY THAT THIS DRAWING HAS BEEN CHECKED AND IS APPROVED FOR USE IN CONFORMITY WITH THE CONTRACT DOCUMENTS.

DATE: _____
 NAME: _____

CONTRACTOR'S CERTIFICATION:
 I (WE) HEREBY CERTIFY THAT THIS DRAWING HAS BEEN CHECKED AND IS APPROVED FOR USE IN CONFORMITY WITH THE CONTRACT DOCUMENTS.

DATE: _____
 NAME: _____

CRITICAL DIMENSIONS

A	0'-10"	N
B	1'-11 1/4"	O
C	0'-7 3/4"	P
D	0'-4 13/16"	Q
E	0'-2"	R
F	0'-1"	S
G	0'-7"	T
H	0'-5 1/8"	U
I	0'-1"	V
J	0'-0 3/4"	W
K	0'-4 7/8"	X
L	0'-4 1/4"	Y
M	0'-2 1/8"	Z

TOLERANCES

NOMINAL DIMENSIONS ARE SHOWN AND MAY VARY ±1/32" FOR INJECTION MOLDED COMPONENTS.

U.S. AND FOREIGN PATENTS PENDING BIO-DYNAMIC® MODEL LF 1000 TABLET FEEDER	DATE: 1-17-06 DRAWN BY: NRB CHECKED BY: JMM TITLE: 7-31-02 DESIGNED BY: NTS
	PROJECT NO: PC-5-9902