

# Control Panel Wiring Diagram Model MVP-DAX2 IR2 R0



Oreco Systems<sup>®</sup>  
Incorporated

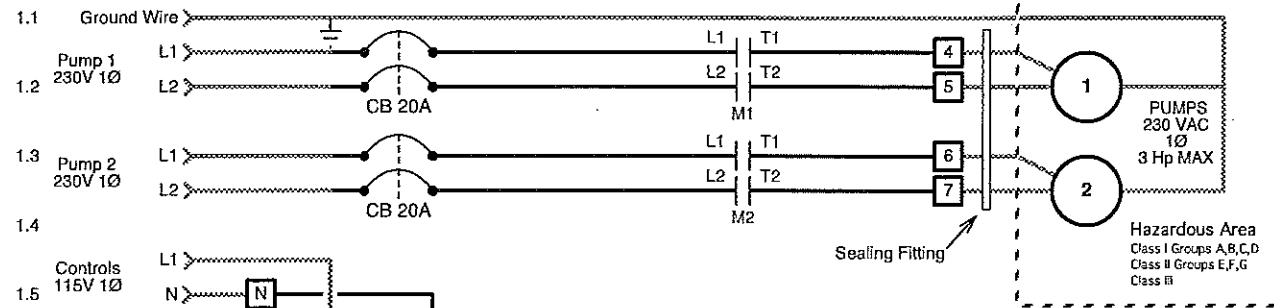
814 AIRWAY AVENUE  
SUTHERLIN, OREGON  
97479-9012

TELEPHONE:  
(541) 459-4419

FACSIMILE:  
(541) 459-2624

From Main Power Panel  
230/115 VAC, 1 Phase, 60 Hz.  
Main disconnect  
provided by others.

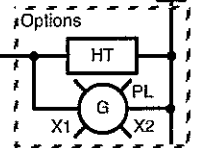
— = Factory Wire  
- - - = Field Wire



INTRINSICALLY SAFE RELAY P+F KFA5-SR2-EX2.W

INTRINSICALLY SAFE RELAY P+F KFA5-SR2-EX2.W

For float arrangement diagram, see drawing no. "EDW-FA-DAX-524".

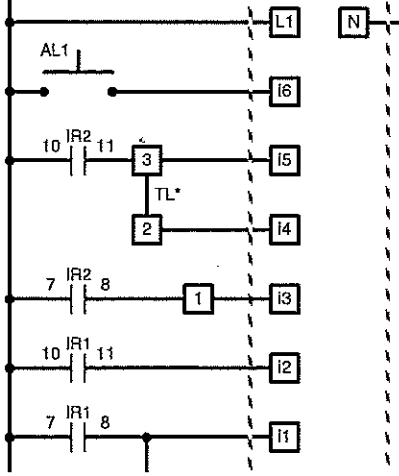


HEATER STEGO 01602.0-09

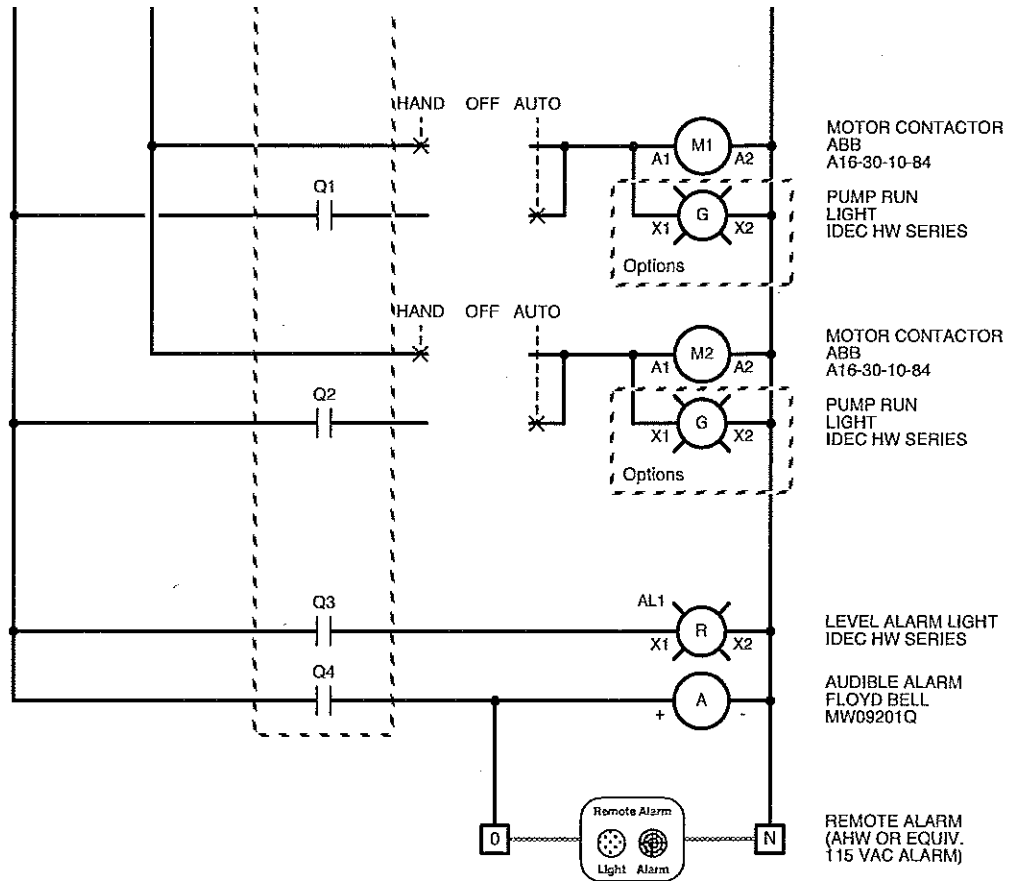
POWER LIGHT IDEC HW SERIES

LOGO SIEMENS 6ED1-052-1FB00-0BA5

PUSH TO SILENCE



2.1  
2.2  
2.3  
2.4  
2.5  
2.6  
2.7  
2.8  
2.9  
2.10  
2.11  
2.12  
2.13  
14  
2.15  
2.16  
2.17  
2.18  
2.19  
2.20  
2.21  
2.22  
2.23  
2.24  
2.25  
2.26  
2.27



For MVP-DAX operation description, see drawing no. "EIN-CP-OP-97".

