

Panel Wiring Diagram

Model MVP-DAX1 RO SF HS OLR SA PRL

Quote# 090508JW2.1 Submittal

— = Factory Wire
 --- = Field Wire



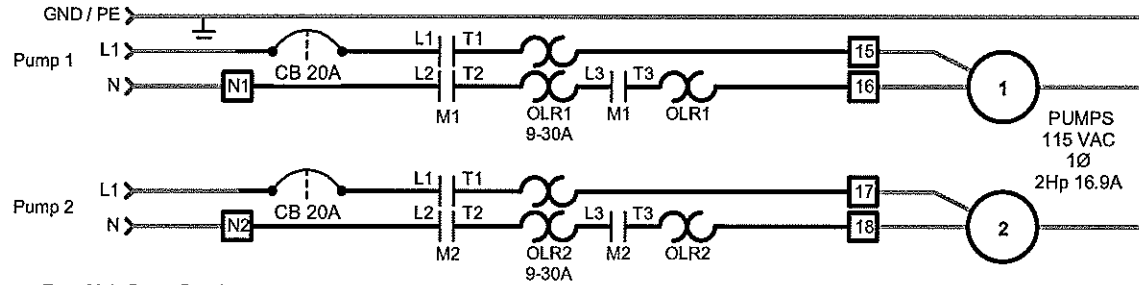
Oreco Systems[®]
 Incorporated

814 AIRWAY AVENUE
 SUTHERLIN, OREGON
 97473-6312

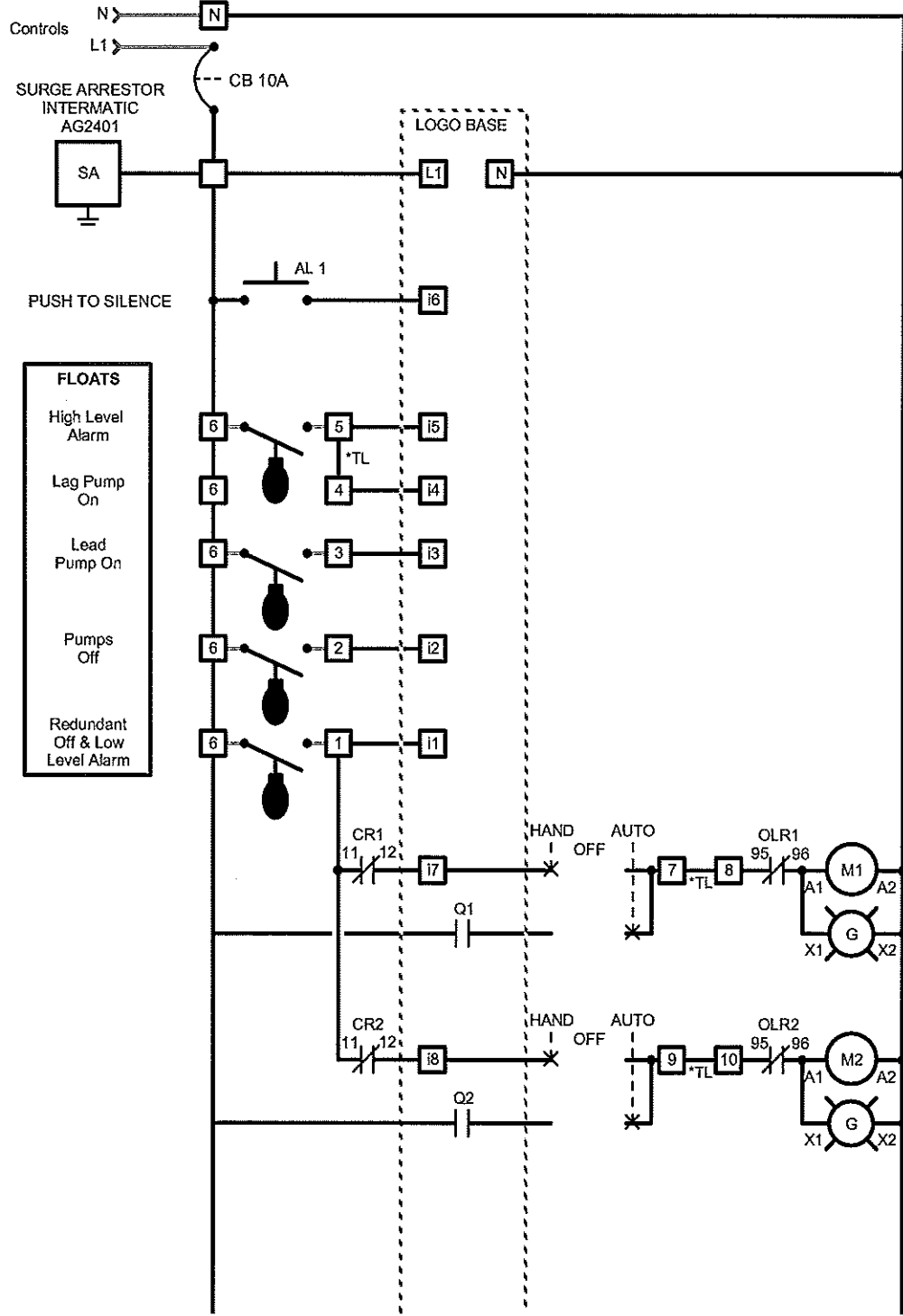
TELEPHONE:
 (541) 459-4449

FACSIMILE:
 (541) 459-2894

From Main Power Panel
 120VAC, 1 Phase, 60 Hz.
 Main disconnect
 provided by others.



From Main Power Panel
 120VAC, 1 Phase, 60 Hz.
 Main disconnect
 provided by others.



LOGO SIEMENS
 6ED1-052-1FB00-0BA5

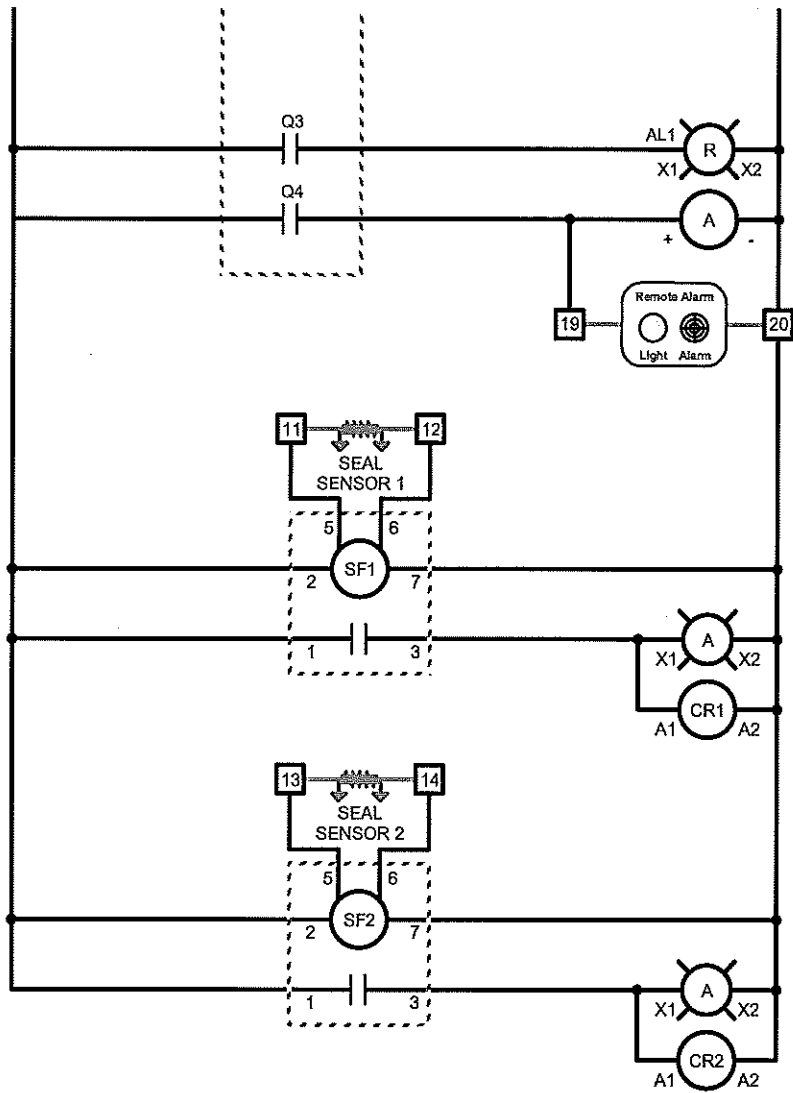
MOTOR
 CONTACTOR
 ABB A26-30-10-84

PUMP RUN LIGHT
 IDEC HW SERIES

MOTOR
 CONTACTOR
 ABB A26-30-10-84

PUMP RUN LIGHT
 IDEC HW SERIES

2.1
2.2
2.3
2.4
2.5
2.6
2.7
2.8
2.9
2.10
2.11
2.12
2.14
2.15
2.16
2.17
2.18
2.20
2.21
2.22
2.23
2.24
2.25
2.26
2.27



LEVEL ALARM LIGHT
IDEC HW SERIES

AUDIBLE ALARM
FLOYD BELL
MW09201Q

REMOTE ALARM
(AHW OR EQUIV.
115 VAC ALARM)

SEAL FAIL RELAY
ABB LLC44A1A

SEAL FAIL LIGHT #1
IDEC HW SERIES

SEAL FAIL RELAY
RELAY IDEC RJ2S

SEAL FAIL RELAY
ABB LLC44A1A

SEAL FAIL LIGHT #2
IDEC HW SERIES

SEAL FAIL RELAY
RELAY IDEC RJ2S

*** Terminal Link Operations**

This link rail will combine the High Level Alarm and Lag Pump Enable functions.

*** Heat Sensor Link Rail**

If the pump motor requires external overtemp connections to disable the motor. Remove the terminal link rails and connect the overtemp sensor wires to the terminal blocks provided.

Terminal Link Rails