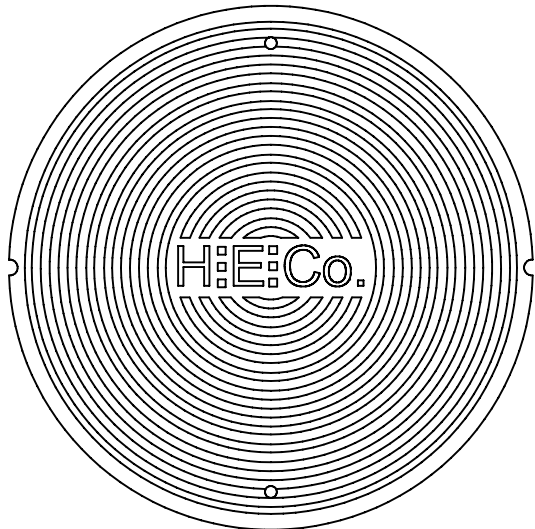
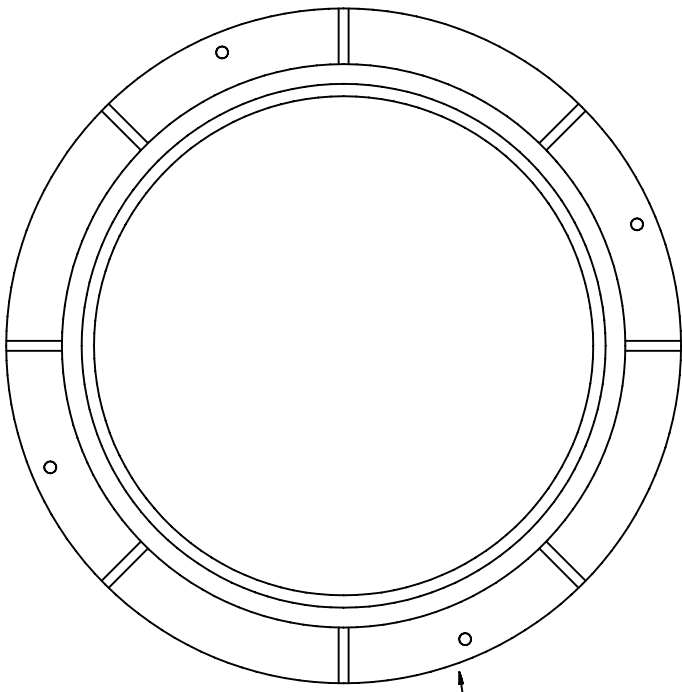
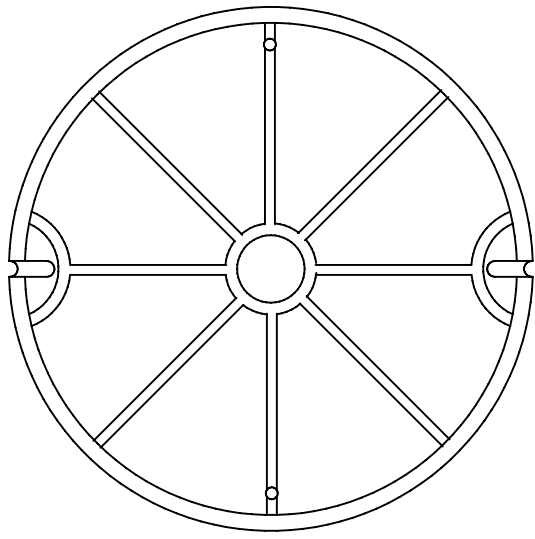
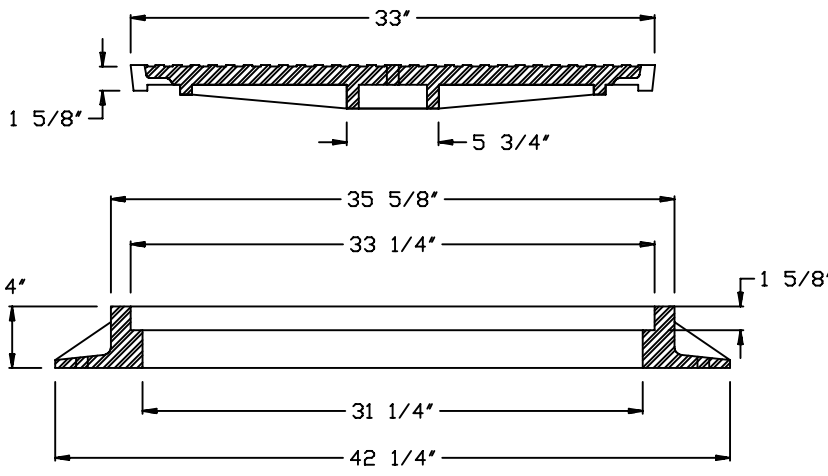



A-1391

Manhole Ring and Cover



1/2" HOLE <4 EACH AT 90 DEGREES>



CAST IRON to conform to ASTM A-48, CLASS 35B H-20 Wheel Loading	D&L No. A-1391		 D&L Foundry P.O. Box 1319 Moses Lake, WA 98837 Phone: (509) 765-7952 Fax: (509) 765-8124			
	Est. weight	562 lbs.				
Designation A-1391	Date of Drawing Nov 1997	Prepared by D&LFOundry	Scale 1" = 12"	Revision No.	Date:	Approved by: