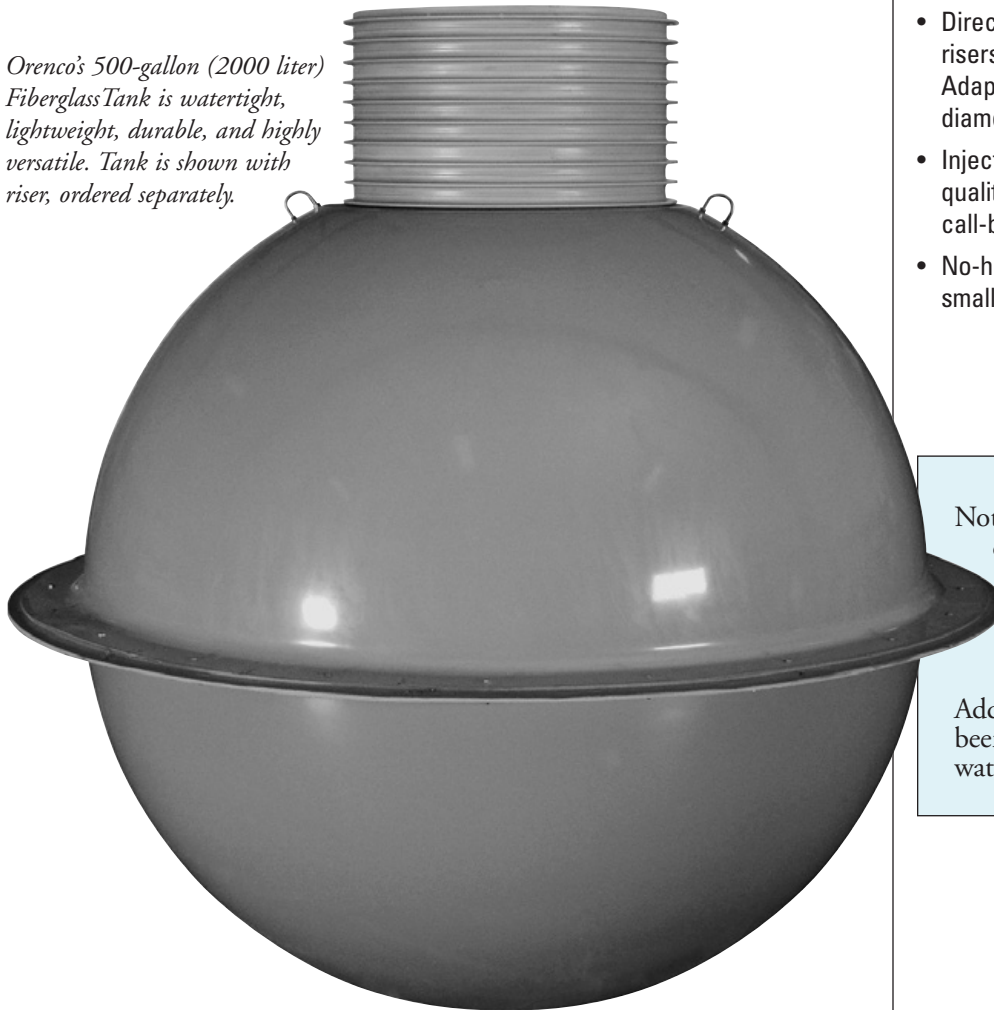


Orenco® 500-Gallon Fiberglass Tank

Applications

The watertight Orenco Fiberglass Tank is designed for use in onsite wastewater collection and treatment systems (residential and commercial). It can be used as a pump tank for effluent or for other applications, such as residential rainwater collection.

Orenco's 500-gallon (2000 liter) Fiberglass Tank is watertight, lightweight, durable, and highly versatile. Tank is shown with riser, ordered separately.



(Dimensions and ordering information on back.)

Distributed By:

Features & Benefits

- 100% watertight — every tank is water tested before shipping
- Made of long-lasting, chemical-resistant fiberglass reinforced polyester (FRP)
- Light enough to transport in a pickup or small trailer and install with a backhoe (lifting brackets attached); no waiting for delivery truck
- Directly accepts standard Orenco PVC risers up to 24-in. (600-mm) in diameter. Adapters available for 30-in. (760-mm) diameter risers
- Injection molded for unmatched part quality and consistency; eliminates costly call-backs for repairs
- No-hassle installation, even on the smallest lots

Note: These tanks have not been designed for use in a location that receives vehicle traffic. Placement in a traffic area requires an engineered traffic-bearing pad.

Additionally, these tanks have not been tested for use with potable water.



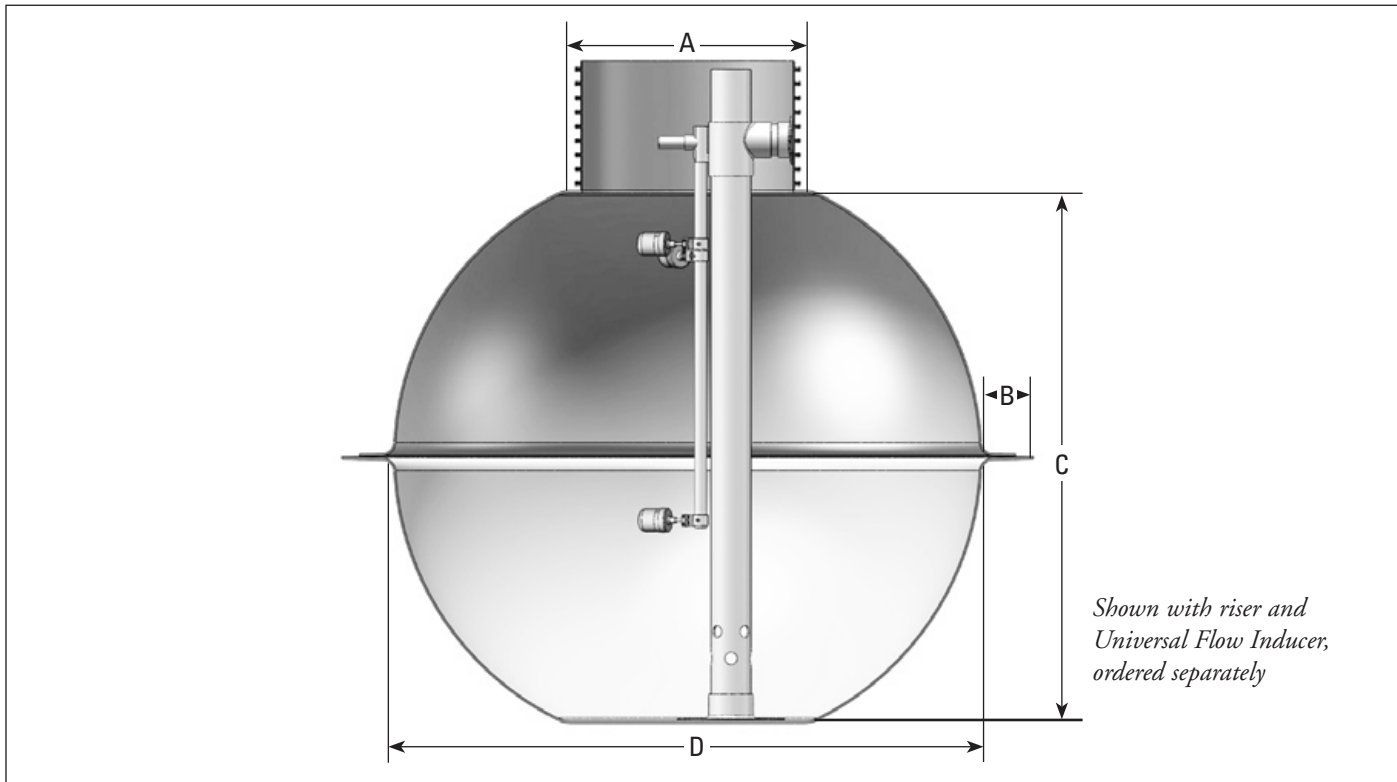
Orenco Systems®
Incorporated

*Changing the Way the
World Does Wastewater®*

www.orenco.com

APS-TNK-2
Rev. 1.0 © 11/08
Orenco Systems®, Inc.

Orenco® 500-Gallon Fiberglass Tank Nominal Dimensions



Specifications*

Dimensions in inches (millimeters)

A	Outside diameter of tank access	23.5 (600)
B	Flange width	5.5 (140)
C	Height	60 (1520)
D	Diameter	66 (1680)

* Detailed drawings and additional technical documentation are available, including volume charts and installation instructions.

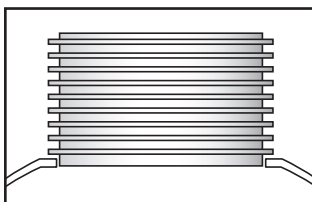
Weight in pounds (kilograms)

Approximate weight	200 (90)
--------------------	----------

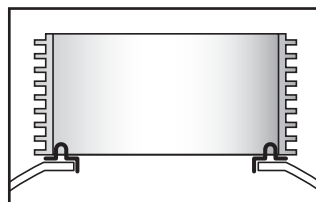
Volume in gallons (liters)

Approximate volume	620 (2350)
--------------------	------------

Riser Connection



24-in. Ultra-Rib™ pipe cut to fit into the hole in the top of the tank (24-in. diameter risers and smaller)



Optional riser adapter allows use of 30-in. diameter access risers

Model Code

T 500 - -

Tank

500

-

-

500

gallons

Blank

=

assembled

U

=

unassembled

Riser connection:

30 = 30" adapter installed

Diameter of access riser opening:

Blank = no riser opening

12 = accepts 12" riser

18 = accepts 18" riser

21 = accepts 21" riser

24 = accepts 24" riser

C = custom; specify

To Order

For your nearest Distributor, call Orenco Systems®, Inc., 800-348-9843, or 541-459-4449.